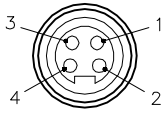
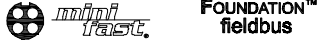


FEMALE END VIEW

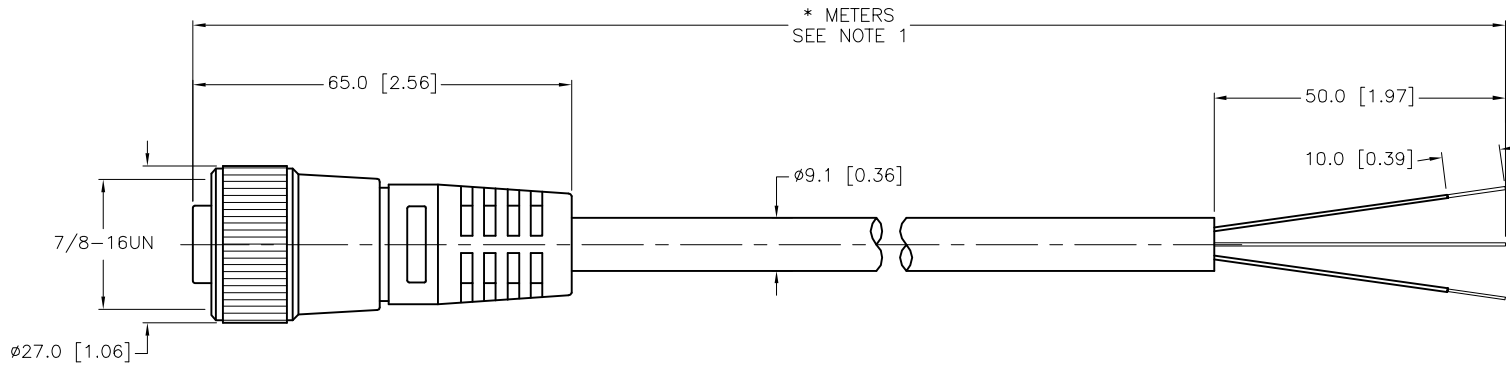


- 1 = BLUE (- VOLTAGE)
- 2 = BROWN (+ VOLTAGE)
- 3 = BARE (SHIELD)
- 4 = N/C



SPECIFICATIONS

CONTACT CARRIER MATERIAL	TPU
MOLDED HEAD MATERIAL/COLOR	TPU/YELLOW
CONTACT MATERIAL/PLATING	BRASS/GOLD
COUPLING NUT MATERIAL/FINISH	STAINLESS STEEL/PASSIVATED
RATED CURRENT [A]	9.0 A
RATED VOLTAGE [V]	600 V
OUTER JACKET MATERIAL/COLOR	PVC/YELLOW
CONDUCTOR INSULATION MATERIAL	XLPE
NUMBER OF CONDUCTORS [AWG]	2x16 AWG, 18 AWG DRAIN
SHIELDING	ALUM.-POLYESTER FOIL
TEMPERATURE RATING	-40°C to +105°C (-40°F to +221°F)
PROTECTION CLASS	NEMA 1,3,4,4X,6P,12 & IECIP67,IP68,IP69,IP69K



CABLE LENGTH	TOLERANCE*
ALL LENGTHS	+ 4% (OR 50mm) OF LENGTH - 0% (OR 0mm) OF LENGTH WHICHEVER IS GREATER
STRIP LENGTH	TOLERANCE*
0-7mm	±0.5mm
8-29mm	±1.0mm
30-49mm	±2.0mm
50-69mm	±3.0mm
70-100mm	±4.0mm
OVER 100mm	±5.0mm

*UNLESS OTHERWISE SPECIFIED

NOTES:

- "*" INDICATES CABLE LENGTH IN METERS. CONTACT TURCK TO ORDER SPECIFIC LENGTHS.
- 2020 NEC NOW REQUIRES A DEDICATED GROUND CONDUCTOR FOR ITC-ER AND PLTC-ER CABLES WHEN INSTALLED IN HAZARDOUS LOCATIONS ALTHOUGH UL CABLE STANDARDS DO NOT REQUIRE A GROUND CONDUCTOR. THIS PRODUCT DOES NOT HAVE A DEDICATED GROUND CONDUCTOR. THEREFORE, WHEN INSTALLED IN A HAZARDOUS LOCATION THE INSTALLATION PRACTICES FOR ITC OR PLTC CABLES MUST BE FOLLOWED TO PROVIDE GROUND CONTINUITY.

SOURCE DRAWING - FOR REFERENCE ONLY

RELATED DOCUMENTS 1. 2. 3. 4.	3RD ANGLE PROJECTION 	THIS DRAWING IS CONFIDENTIAL AND THE PROPERTY OF TURCK INC. USE OF THIS DOCUMENT WITHOUT WRITTEN PERMISSION IS PROHIBITED.		3000 CAMPUS DRIVE MINNEAPOLIS, MN 55441 1-800-544-7769 (763) 553-7300 (763) 553-0708 fax www.turck.us	
				DRFT CBM DATE 05/20/02 APVD SCALE 1=1.3 DESCRIPTION RKV 496-*M	
MATERIAL	ALL DIMENSIONS DISPLAYED ON THIS DRAWING ARE FOR REFERENCE ONLY	UNIT OF MEASUREMENT MILLIMETER [INCH]		IDENTIFICATION NO.	
FINISH		CONTACT TURCK FOR MORE INFORMATION		REV G	
G UPDATE PROTECTION CLASS CBM 04/13/21 76628		DO NOT SCALE THIS DRAWING		FILE: 777006001 SHEET 1 OF 1	

REV	DESCRIPTION	BY	DATE	ECO NO.
-----	-------------	----	------	---------